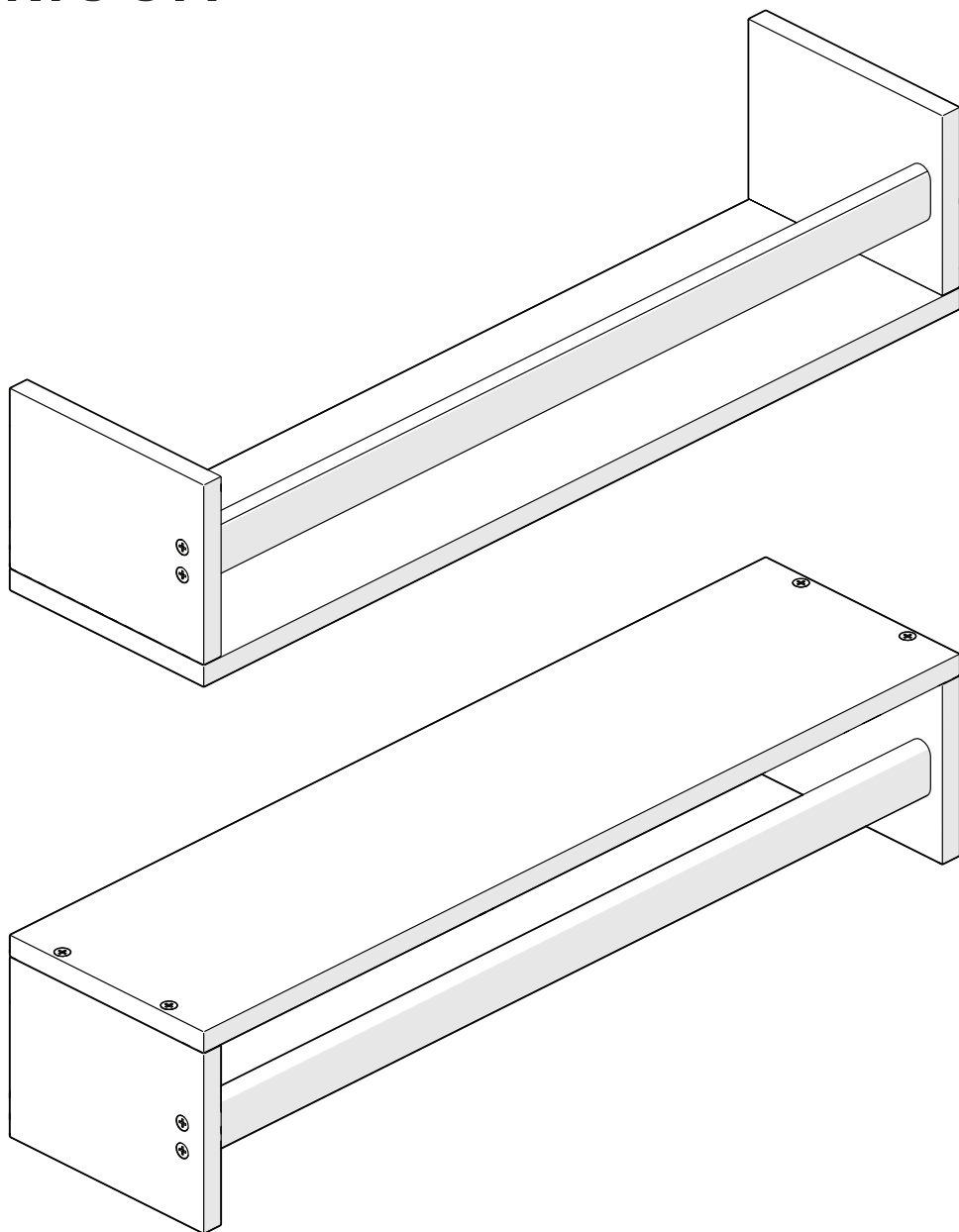
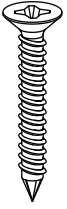


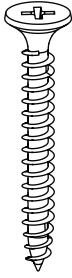
# BALLUCCI

## RIGGA

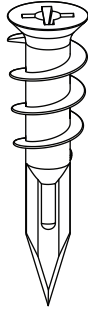




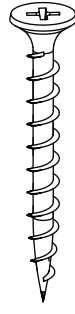
8x



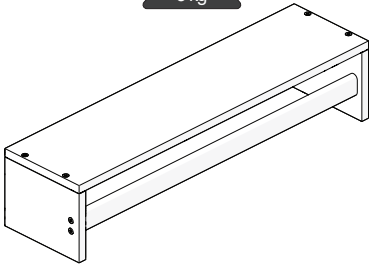
8x



4x

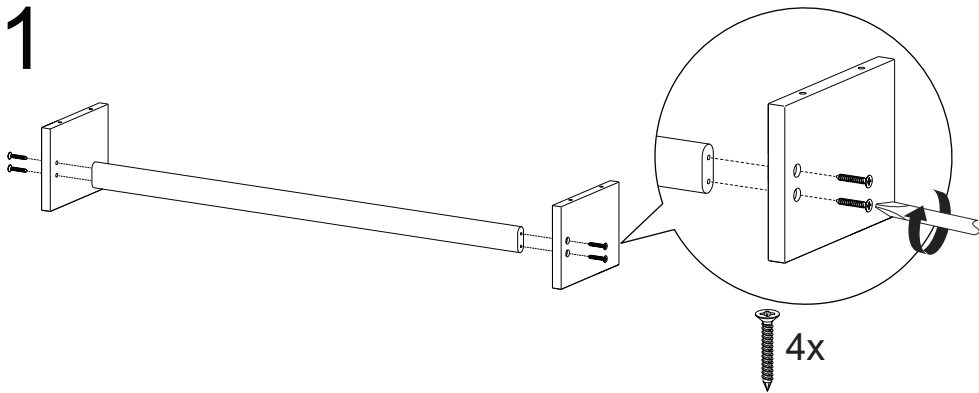


4x

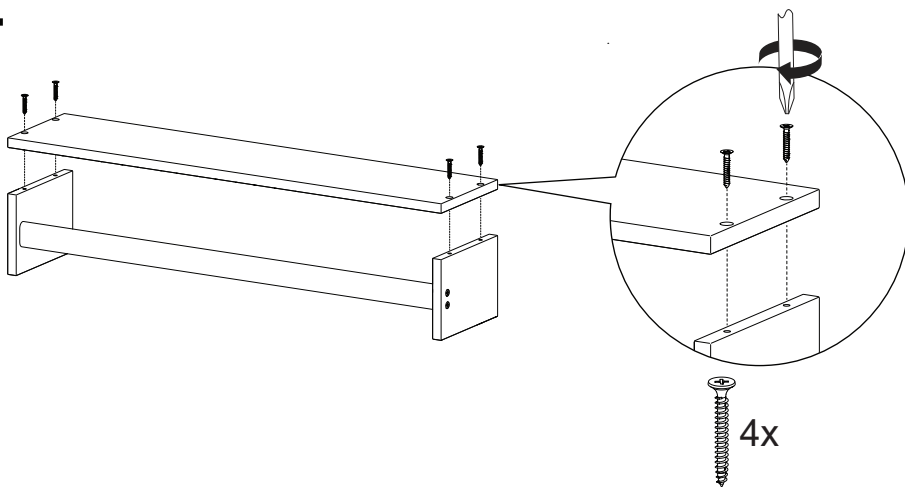


2x

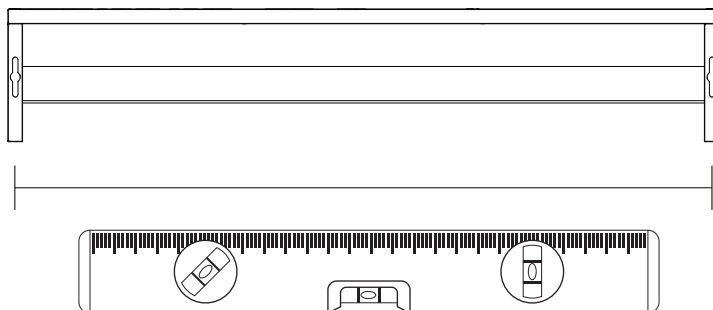
1



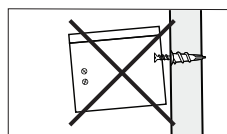
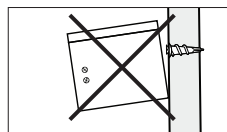
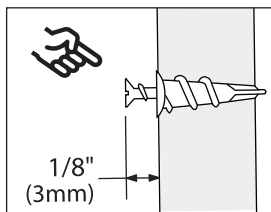
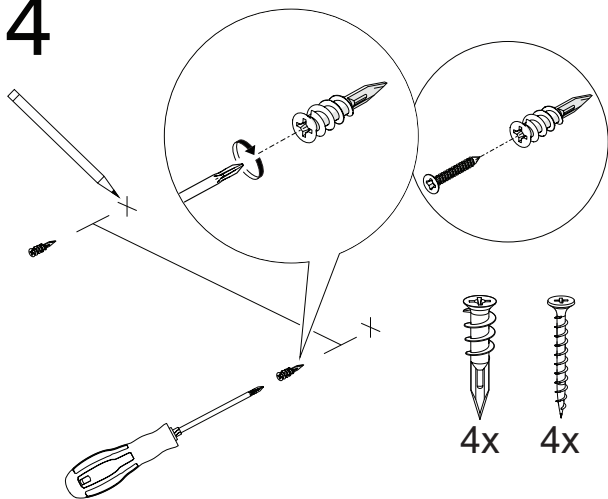
2



3



# 4



# 5

