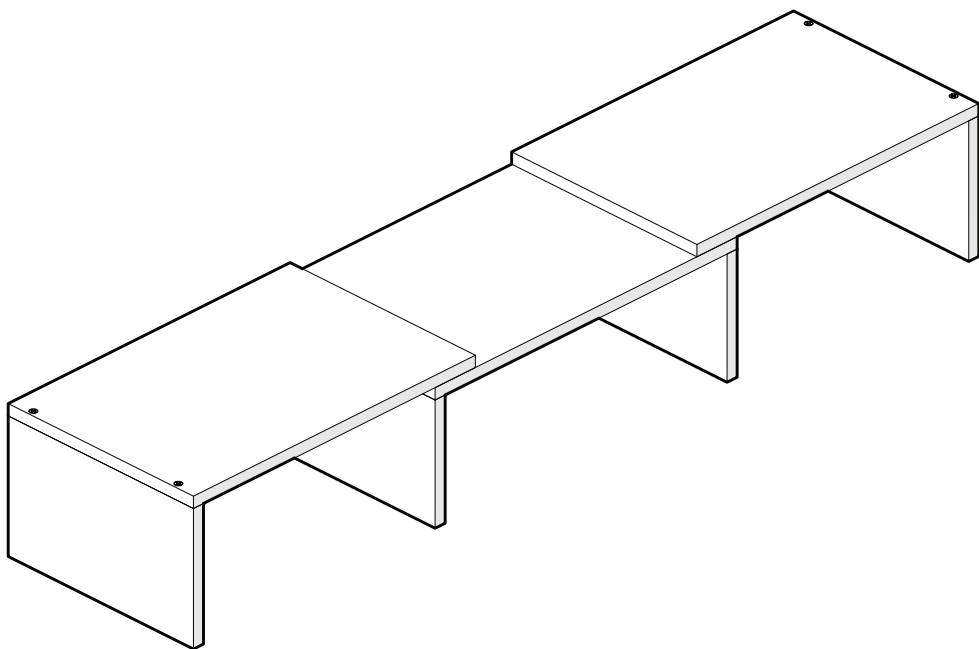
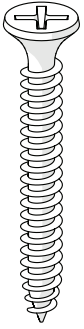


# BALLUCCI

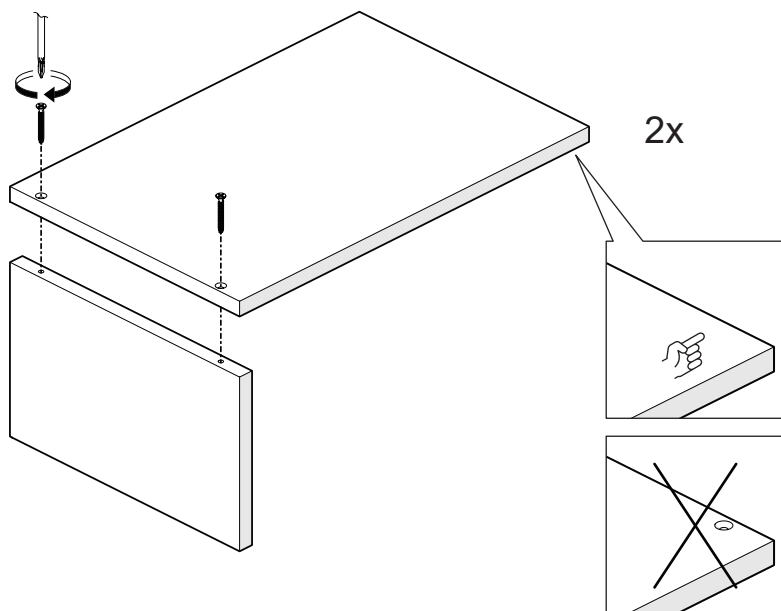
## ERGO



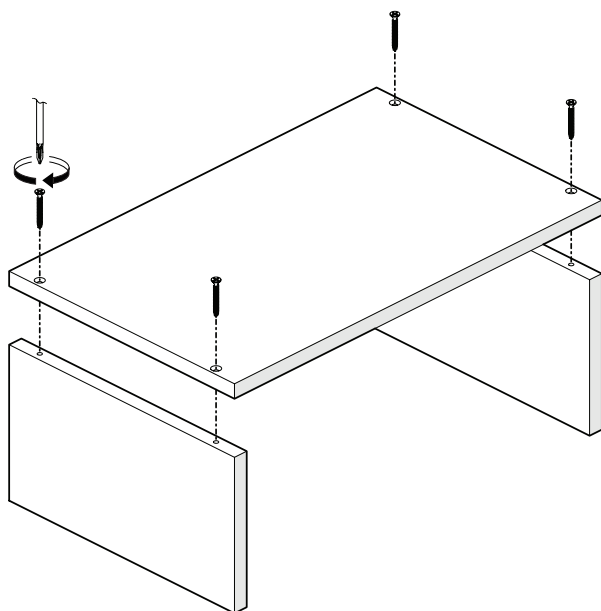


8x

1



2



3

