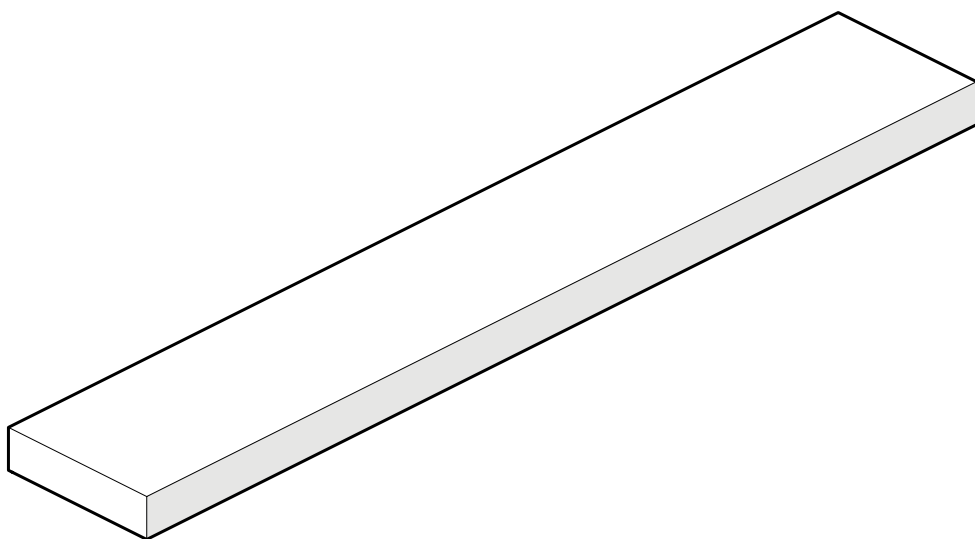
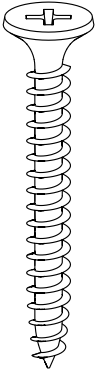


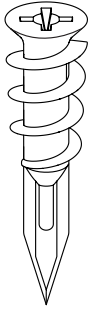
# BALLUCCI

## SYDNEY

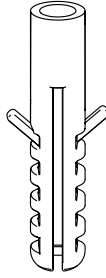




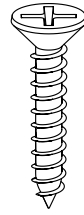
10x



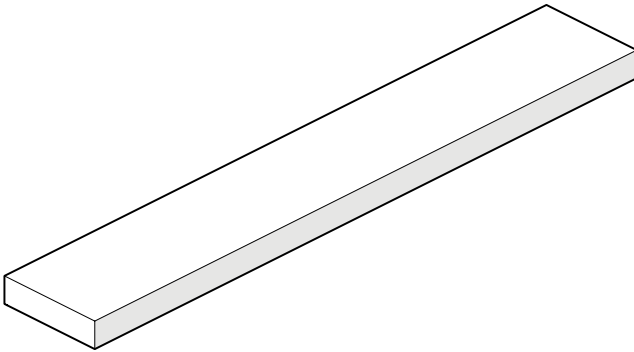
10x



10x

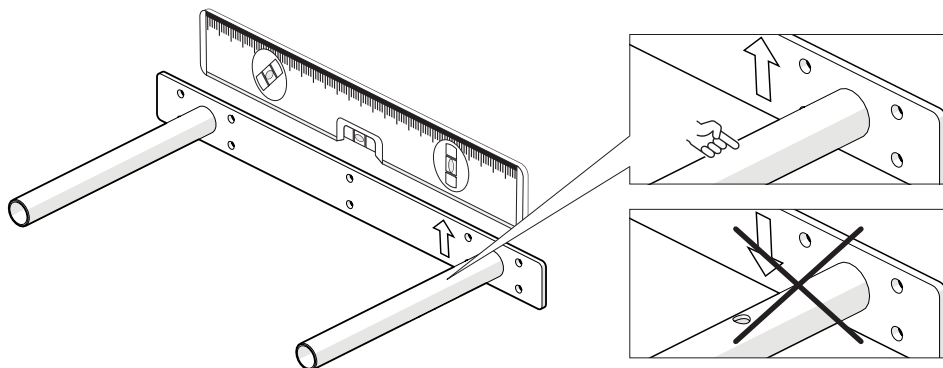


4x

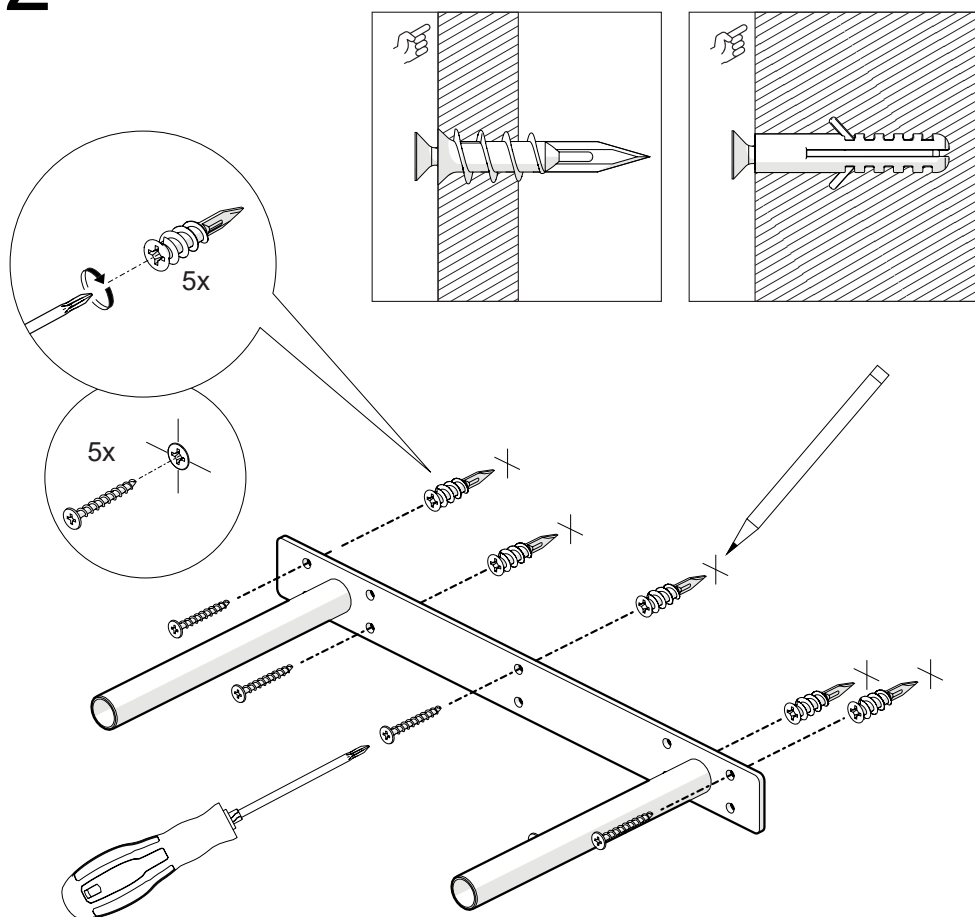


2x

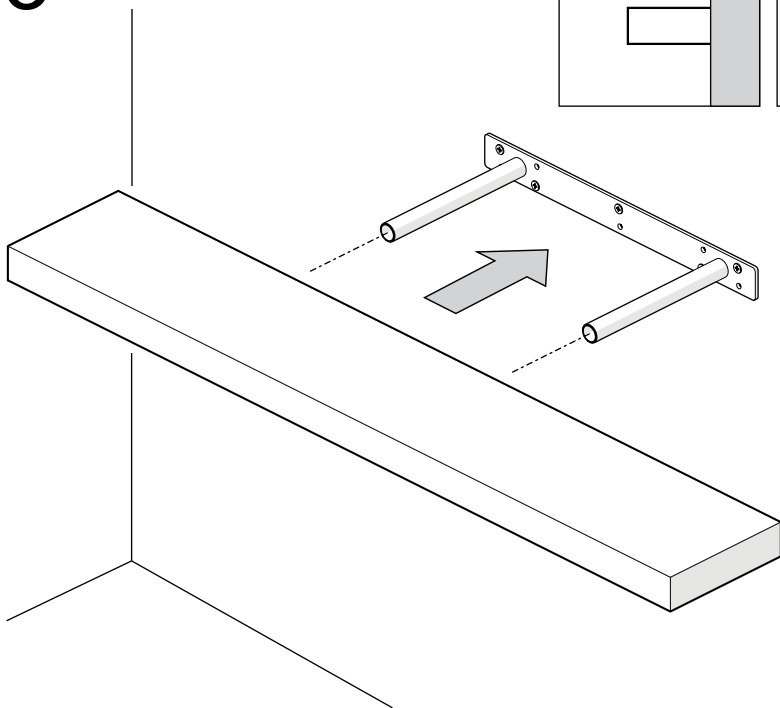
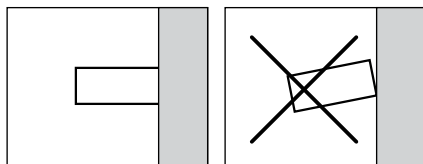
1



2



# 3



# 4

