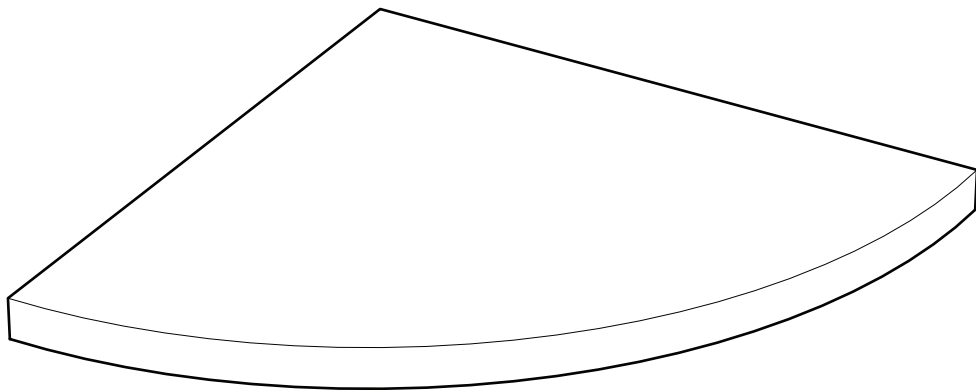
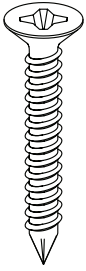


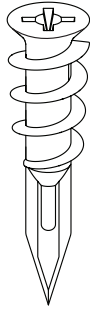
# BALLUCCI

## PROVO

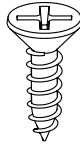




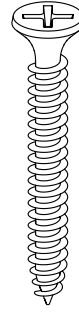
4x



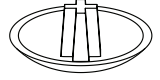
4x



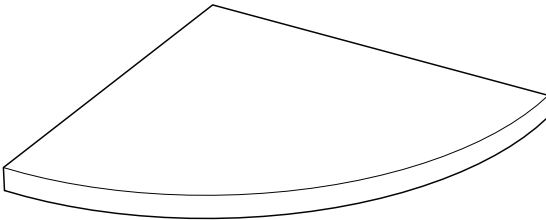
1x



4x

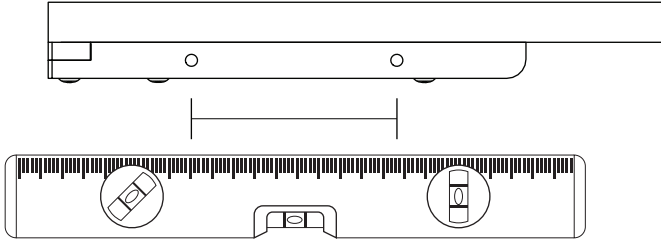


9x

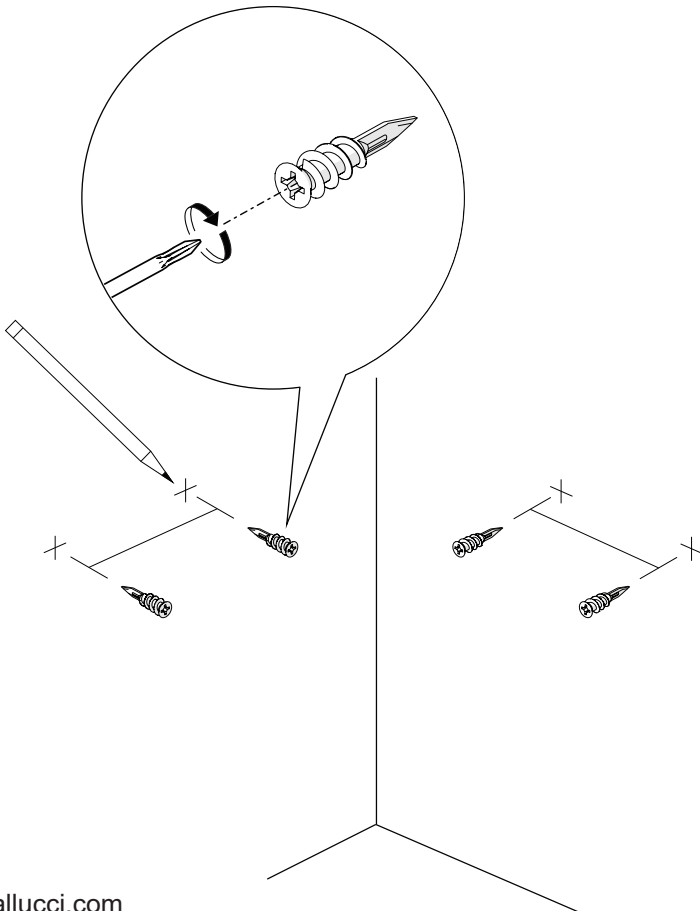


1x

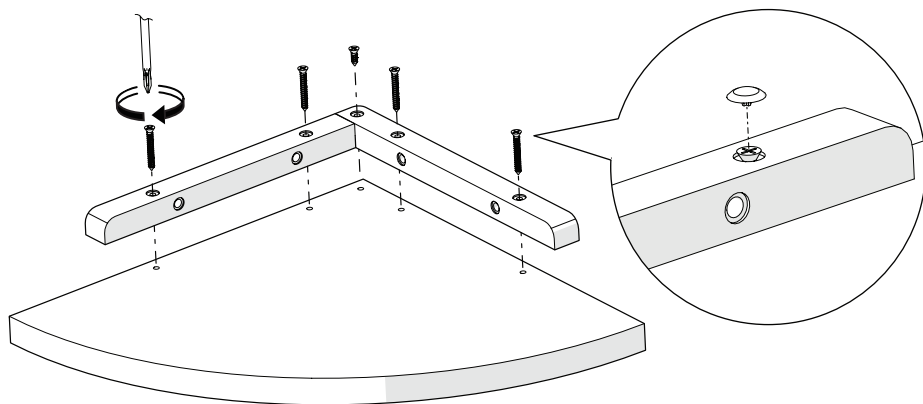
1



2



# 3



# 4

